

IN THE DRAWINGS:

Please replace FIGs. 1-4 with the new FIGs. 1-4 submitted herewith. FIGs. 1-4 have been revised only for formalities. No new matter has been added.

09/994,921



1/8

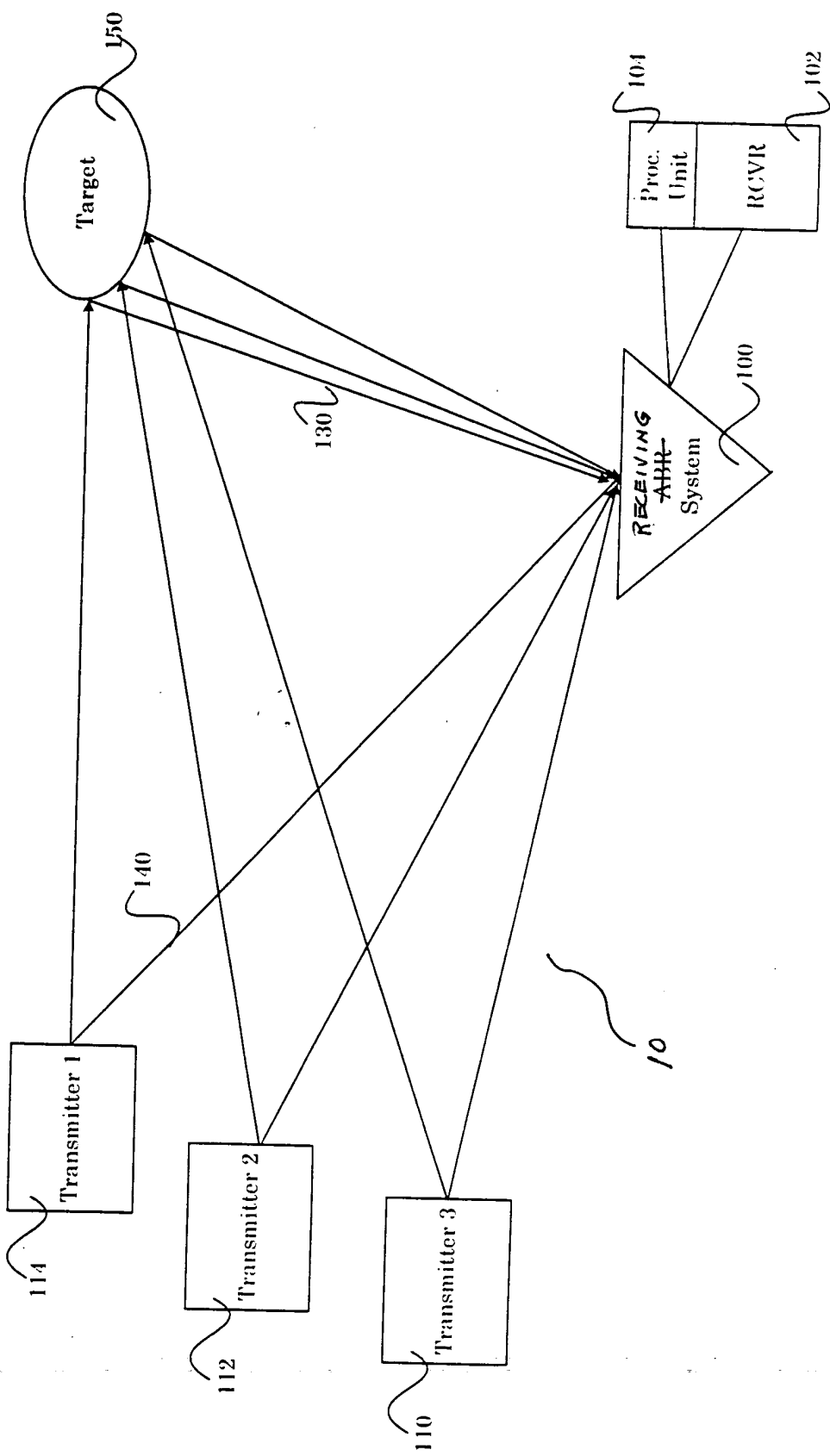


FIG. 1

Approved
JSC
7/1/03



Approved
ECL
7/1/03

2/18
200
220

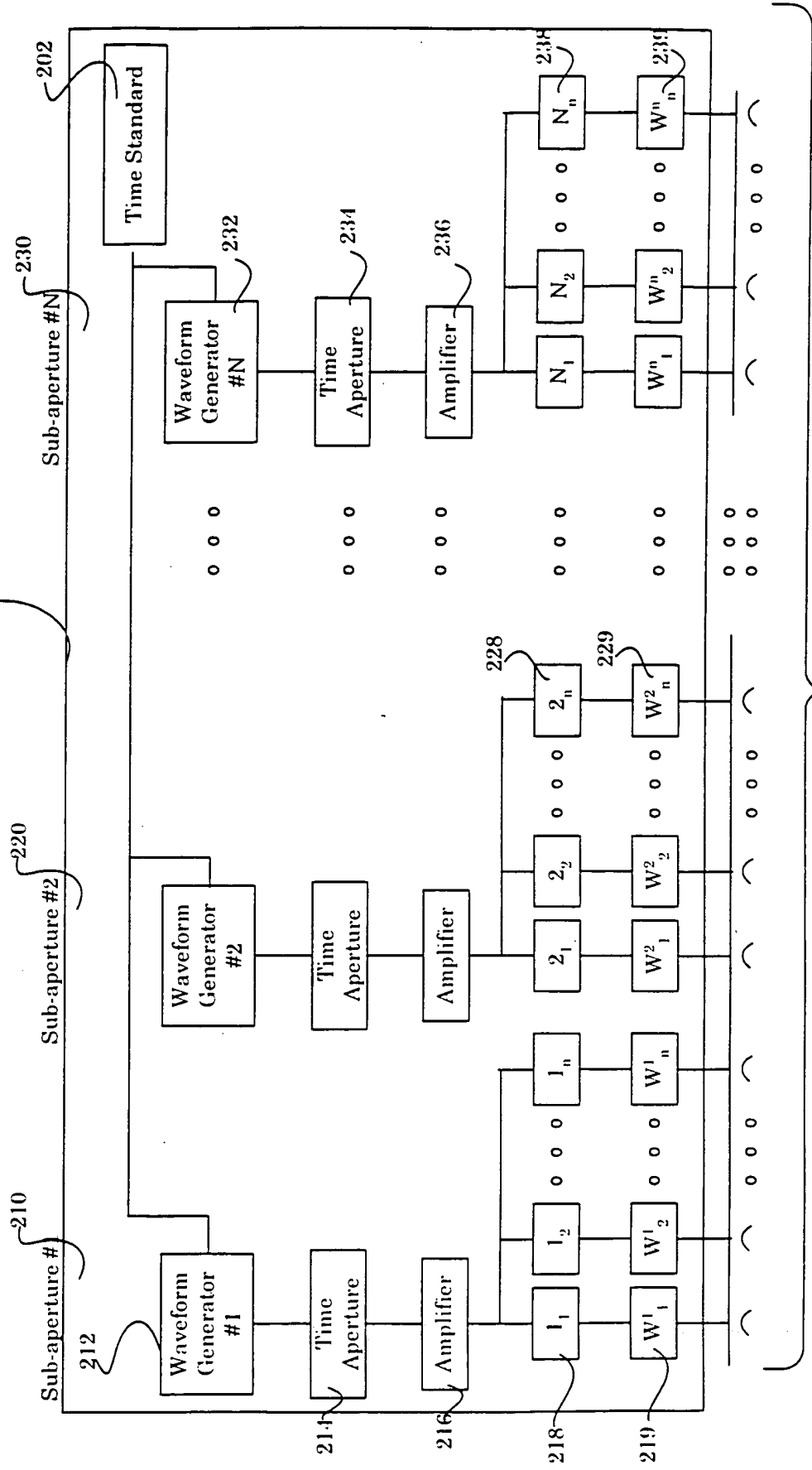


FIG. 2



3/8.

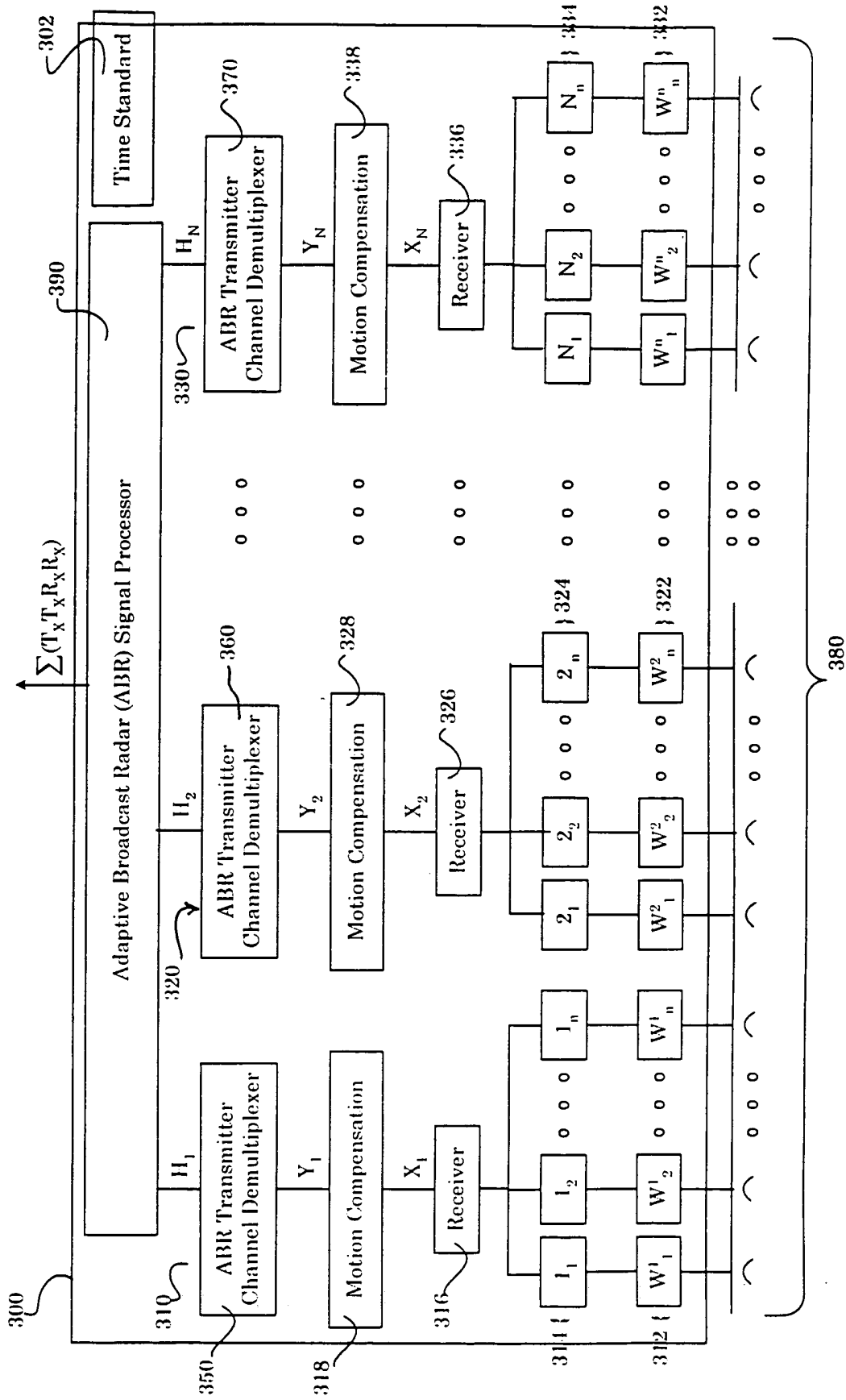


FIG. 3

*Approved
ISC
7/1/03*



4/8

*approved
ISC
7/12/03*

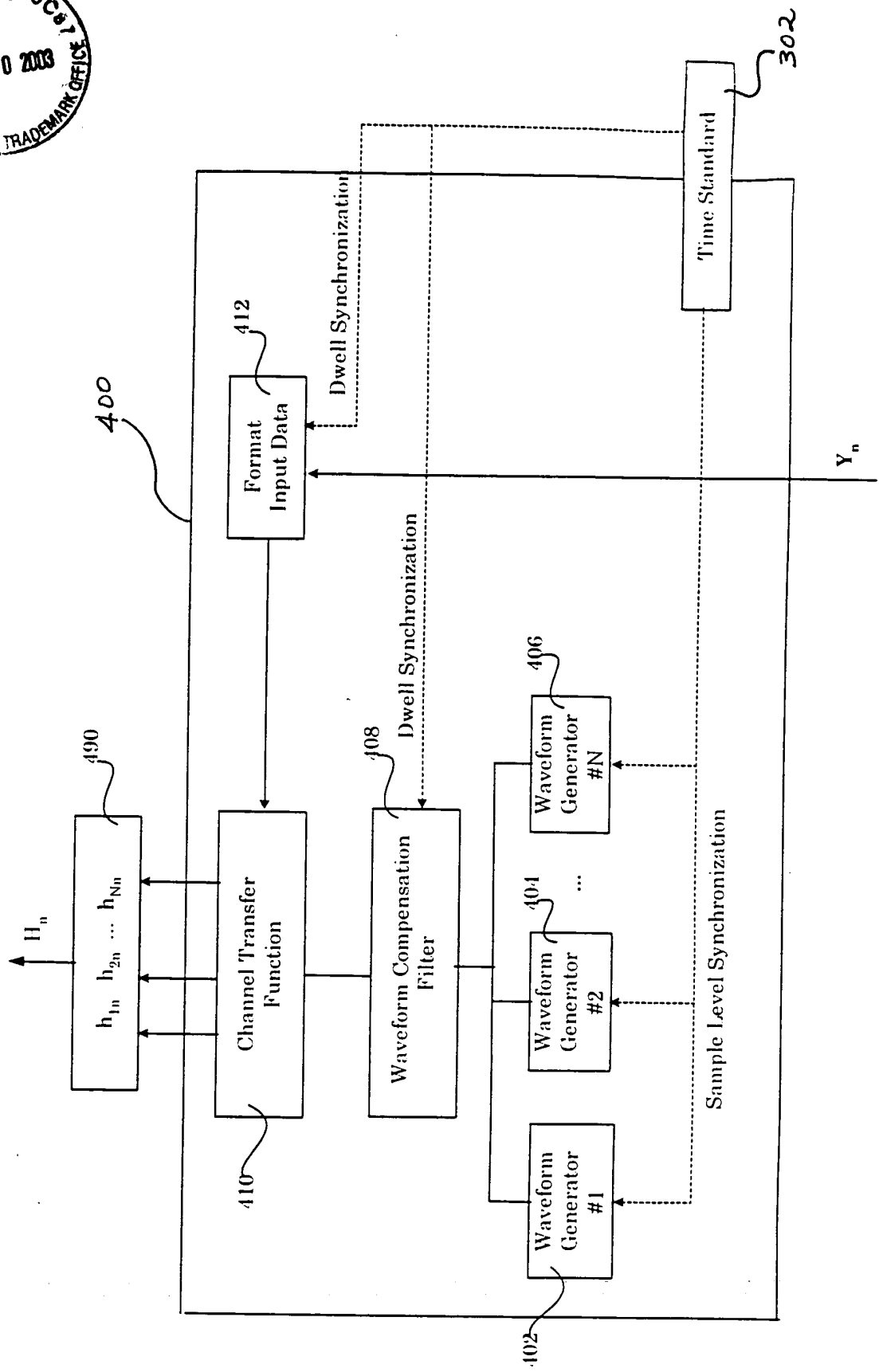


FIG. 4